

LEDVISION® 65 and 65+

The examination lights with touchless control



The optimal examination light meets innovative gesture control for the touchless adjustment of illumination intensity



LEDVISION® 65 and 65+ combine the light quality of KARL STORZ surgical lighting with the demands placed on modern examination lights.

- High illumination intensity for examinations and minor procedures
- Illumination intensity adjustable in three levels through gesture control
- Energy-efficient LED light with excellent color rendering (Ra = 96) and integrated dimmer
- Sterilizable handle for high hygienic safety
- Light on/off in case of repositioning
- Available as a ceiling-mounted, wall-mounted, or floorstand model for different applications

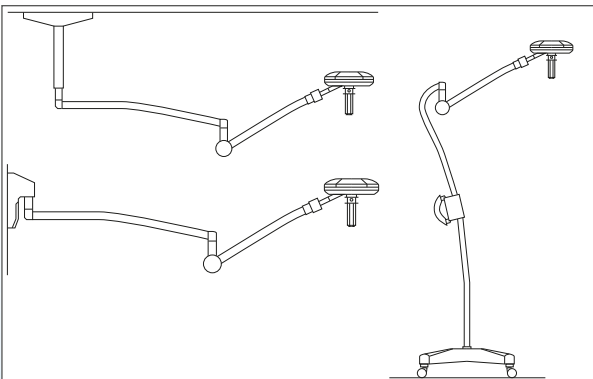
LEDVISION® 65 and 65+ combine practical design with the latest functions:



- Effortless control of light intensity by gesture control
- With a simple gesture, the illumination intensity can be adjusted in the range from 30,000 lx to 70,000 lx (LEDVISION® 65) or 45,000 lx to 90,000 lx (LEDVISION® 65+) without touching the light fixture
- High hygiene standards during examination thanks to touchless operation



- Light on/off in case of repositioning
- The light automatically switches off if it is not moved for 30 minutes or the lighthead is rotated to face upward



LEDVISION® 65 and 65+ are available in the following models:

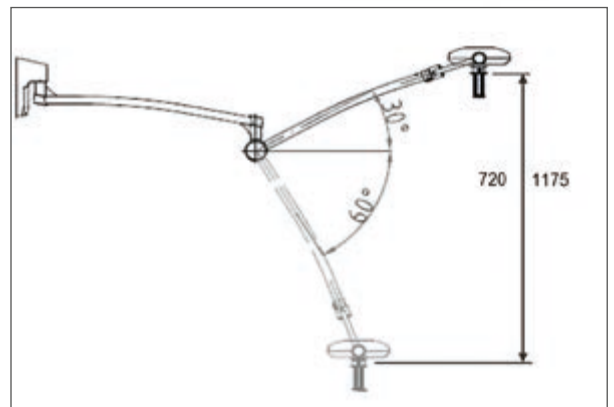
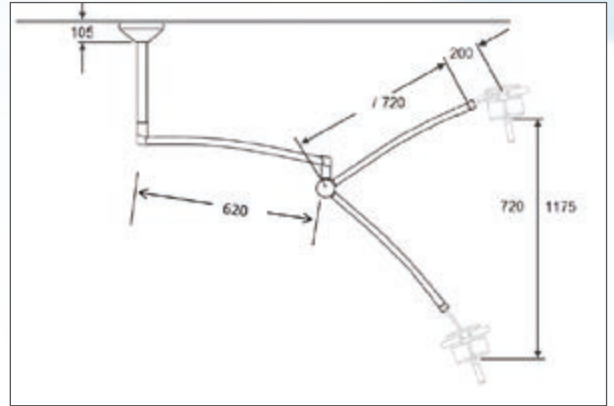
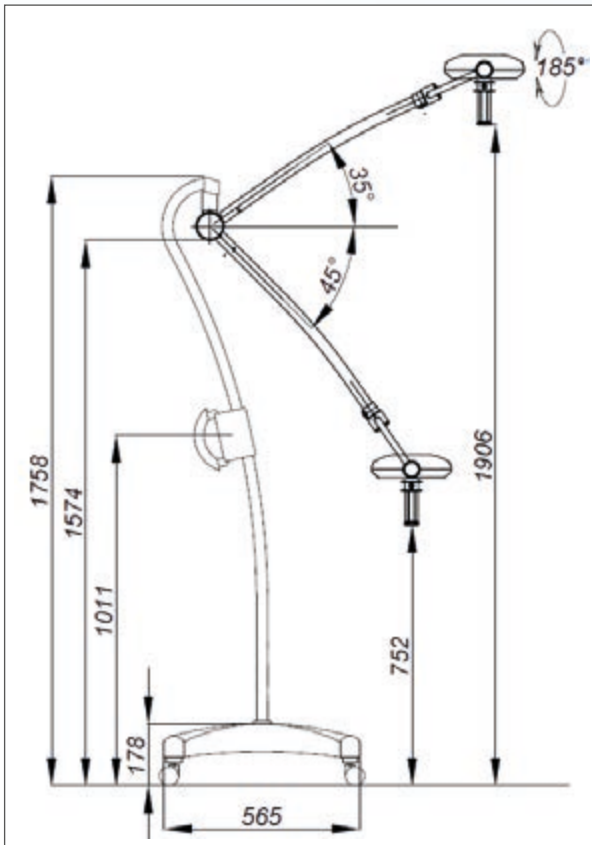
- Ceiling-mounted light
- Floorstand light with casters
- Wall-mounted light



- Power supply integrated in the handle in the mobile lamp
- Space-saving design
- Power supply integrated in the mount in the wall-mounted and ceiling-mounted models



- Anti-static casters to prevent static charge build-up
- Conductive casters marked by yellow dot



Dimensions in mm

LEDVISION® – OR lights from KARL STORZ



There is no compromising when human lives are at stake. Therefore, LEDVISION® OR lights meet all of the surgical team's requirements regarding state-of-the-art lighting of the surgical field:

- Abundant light for large or small surgical fields, for critical cases, and even deep body cavities
- True-color light for an accurate display of even the tiniest nerve and vessel structures
- Cool light that is gentle on the patient during longer procedures and provides the surgeon with a comfortable work environment
- Shadow-free lighting with sharp contours thanks to multiple LED light sources
- Integrated in the KARL STORZ OR1™ system – with convenient control, even from the sterile field
- Documentation of the surgical procedure under sterile conditions through a centrally integrated HD camera

More than
75
Years

*Shaping the Future
of Endoscopy with you*

STORZ
KARL STORZ — ENDOSKOPE

THE DIAMOND STANDARD

KARL STORZ SE & Co. KG
Dr.-Karl-Storz-Straße 34, 78532 Tuttlingen/Germany
Postbox 230, 78503 Tuttlingen/Germany
Phone: +49 7461 708-0
Fax: +49 7461 708-105
E-Mail: info@karlstorz.com
www.karlstorz.com

